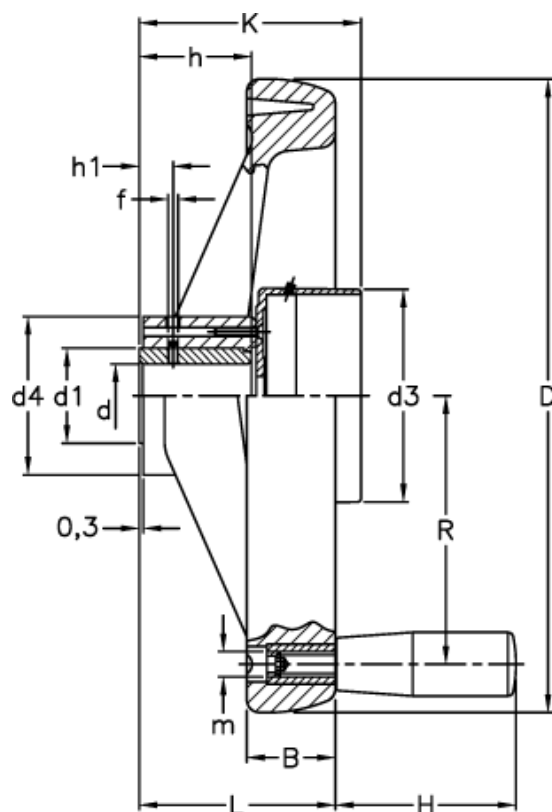


Article number: 2307033121

Description: E+G Two-spoke handwheel
VRTP.160-GXX2-A14+I

Measures



| | | | |
|------|-------|----|------|
| B | = 25 | h | = 27 |
| D | = 160 | h1 | = 12 |
| d1 | = 26 | K | = 63 |
| d3 | = 76 | L | = 51 |
| d4 | = 40 | m | = M8 |
| d H7 | = 14 | R | = 65 |
| f | = M8 | | |
| H | = 80 | | |